

MFS35PD

MAYTAG® COMMERCIAL ENERGY ADVANTAGE™ SOFT-MOUNT FRONT-LOAD WASHER



LEGENDARY MAYTAG DEPENDABILITY

Maximizing your equipment investment for over a half century.



MORE ENERGY-SAVING SOLUTIONS THAN ANY OTHER BRAND

Maytag built the first appliance ever to receive the ENERGY STAR® label. Today we offer more high-efficiency laundry appliances than any other brand—from energy-efficient dryers to highly efficient ENERGY STAR®-qualified washers—to help you save money and build profits.

MAYTAG® TURBOWASH™ SYSTEM

Specially designed spray baffles and tumble patterns provide more cleaning power while using less water, cutting costs and maximizing your profits.

FOR YOUR CUSTOMERS:

- Big-Load Design With Oversized Door Opening
- Easy-To-Use One-Touch Cycle Selection
- Time Remaining Display

FOR YOUR OPERATION:

- Enhanced Super Cycle Options Increase Revenue
- Inverter Drive Technology For Better Efficiency And Longer Life
- Microprocessor Coin-Drop Helps Prevent Slugging
- Accu Trac® Audit System With Two-Way Data Communication
- Debit Card Compatibility
- Self-Diagnostic Feature Cuts Service Costs And Minimizes Downtime
- Easy Service Access
- Programmable LCD Digital Display In English, Spanish Or French

BUILT-TO-LAST™ FEATURES:

- Extra-Large 3" Drain Valve
- Commercial-Duty Door Handle, Belts And Frame
- Reliable Die-Cast Door Lock Assembly
- Durable Sealed Bearings
- Stainless Steel Top, Front And Sides
- 5-Year Limited Warranty—All Parts Covered

LAUNDRY SOLUTIONS
YOU CAN *DEPEND ON.*

**HIGH SPIN SPEED REDUCES
DRY TIMES AND OVERALL CYCLE TIME**

visit maytagcommerciallaundry.com



OUR COMMITMENT TO DEPENDABLE QUALITY

At Maytag, we believe durable goods should remain just that. That's why every Maytag® product is constructed of the highest-quality materials and with the utmost in precision craftsmanship. It's also why we stand behind our equipment with solid service and support from our professional Maytag laundry suppliers. Simply put, when you choose Maytag® products, you ensure your peace of mind.

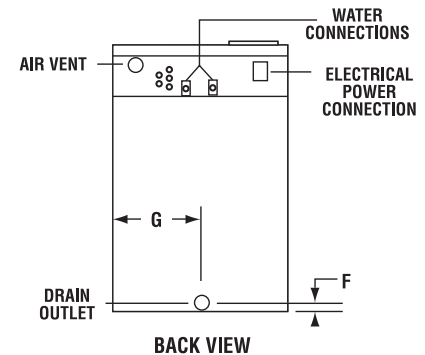
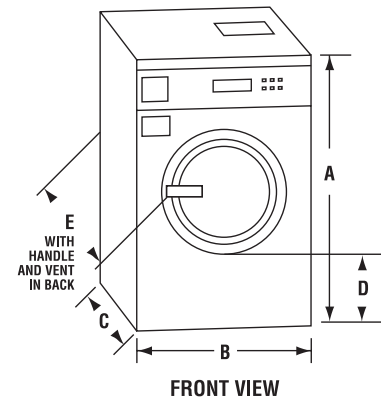


MFS35PD MAYTAG® COMMERCIAL ENERGY ADVANTAGE™ SOFT-MOUNT FRONT-LOAD WASHER

Maytag® Commercial Energy Advantage™ Soft-Mount Front-Load Washer

MICROPROCESSOR COIN-DROP

WASHER SPECIFICATIONS	
MODEL	MFS35PD
MOTOR	
Inverter drive	•
Variable speed	•
HP (kw)	3 (2.2)
Voltage	208 – 240V Single-Phase/Three-Phase
BREAKER SIZE — amps	20
SPEED	
Wash speed — rpm	45
Extract speed — maximum rpm	980
Extract speed — maximum g-force	350
LIQUID SOAP SIGNALS	8
WATER INLET/HOSE	
Water inlet hose length — ft. (m)	5 (1.52)
Operating pressure — psi (bar)	14.5 – 116 (1 – 8)
Drain size diameter/drain hose length — ft. (m)	3.0 (76) O.D./1.67 (.5)
CAPACITY	
Lbs. (kg)	35 (16)
Cylinder volume — cu. ft. (liters)	5.9 (166)
Cylinder diameter — in. (mm)	25.6 (650)
Cylinder depth — in. (mm)	19.68 (500)
COLOR	
Stainless Steel	•
APPROXIMATE WEIGHT	
Crated — lbs. (kg)	1092 (495)
Uncrated — lbs. (kg)	1026 (465)
DIMENSIONS	
A) Height — in. (mm)	50.98 (1295)
B) Width — in. (mm)	32.87 (835)
C) Depth — in. (mm)	37.80 (960)
D) Floor to bottom of door — in. (mm)	16.92 (430)
E) Depth including handle and vent on back — in. (mm)	40.94 (1040)
F) Floor to drain outlet center — in. (mm)	2.16 (55)
G) Side to drain outlet center — in. (mm)	16.33 (415)
Door opening — in. (mm)	16.14 (410)
See specific instructions for proper installation. Because of continuous product improvement, Maytag reserves the right to change specifications without notice.	



NEW YORK CITY
M.E.A.



5-YEAR LIMITED WARRANTY ALL PARTS COVERED

For a period from the date of original purchase through the time listed above, the designated parts that fail in normal commercial use will be repaired or replaced free of charge for the part itself, with the owner paying all other costs, including labor, transportation and customs duty. Chemical damage is excluded from all warranty coverage. See complete warranty for details.