

# MFR80PN

## MAYTAG® COMMERCIAL ENERGY ADVANTAGE™ RIGID-MOUNT FRONT LOAD WASHER



### LEGENDARY MAYTAG DEPENDABILITY

Maximizing your equipment investment for over a half century.



### MICROPROCESSOR CONTROLS

Maytag® microprocessor controls offer 15 preprogrammed cycles, plus the capability to create multiple unique cycles. Also, one-touch cycle selection and multilingual readouts make these controls easy for everyone to operate.

### CHEMICAL INJECTION SYSTEM

Designed to make chemical installation faster, simpler and more precise, the Maytag® Commercial Laundry Chemical Injection System features easy-access connections on the outside of the machine. This eliminates the need for having to open up the washer on routine visits. The new system also provides chemical supply companies and the machine's users with clear visibility on how detergent, bleach, softener and other chemicals are being dispersed.

### FOR YOUR OPERATION:

- Inverter Drive Technology For Longer Life
- Big-Load Design With Oversized Door Opening
- Easy-To-Operate Microprocessor Controls
- Adjustable Water Temperatures And Levels
- TurboWash™ System Cuts Water Usage By Up To 44%\*
- Manual 3-Bay Detergent and Softener Dispenser
- External Chemical Supply Hookup
- Eight Chemical Supply Signals
- Two Extra-Large Drain Valves
- Extra-Large Door And Handle
- Easy Service Access
- Programmable LCD Digital Display Shows English, Spanish And French. Additional Languages Available.

### BUILT-TO-LAST™ FEATURES:

- Commercial-Duty Door Handles, Belts And Frame
- Extra-Large Drain Valve
- Durable Roller Bearings
- Stainless Steel Top, Front And Sides

LAUNDRY SOLUTIONS  
YOU CAN *DEPEND ON.*

\*Compared to previous Maytag® MFR washers. Total savings may vary by model.

CLEANS BETTER WITH  
LESS WATER  
TO CUT UTILITY COSTS

EASY TO USE  
EXTERNAL HOOKUPS  
FOR CHEMICAL INJECTION

visit [maytagcommerciallaundry.com](http://maytagcommerciallaundry.com)  
or call 800-662-3587



## OUR COMMITMENT TO DEPENDABLE QUALITY

At Maytag, we believe durable goods should remain just that. That's why every Maytag® product is constructed of the highest-quality materials and with the utmost in precision craftsmanship. It's also why we stand behind our equipment with solid service and support from our professional Maytag laundry suppliers. Simply put, when you choose Maytag® products, you ensure your peace of mind.



## MFR80PN

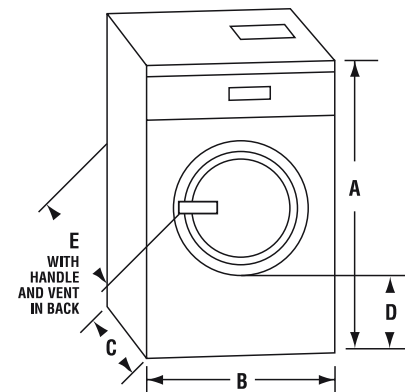
MAYTAG® COMMERCIAL ENERGY ADVANTAGE™ RIGID-MOUNT FRONT-LOAD WASHER

## Maytag® Commercial Energy Advantage™ Rigid-Mount Front-Load Washer

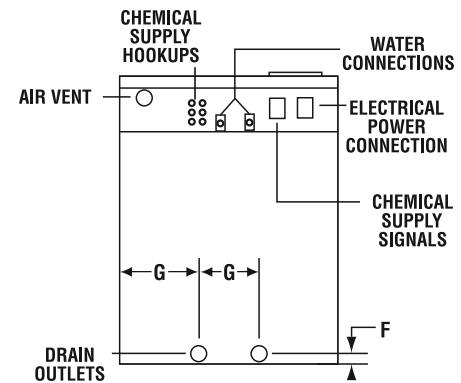
### MICROPROCESSOR NON-COIN

WASHER SPECIFICATIONS	
<b>MODEL</b>	<b>MFR80PN</b>
<b>MOTOR</b>	
Inverter drive	•
Variable speed	•
HP (kw)	4 (3)
Voltage	208 – 240V Single-Phase/Three-Phase
<b>BREAKER SIZE</b> — amps	20
<b>SPEED</b>	
Wash speed — rpm	38
Extract speed — maximum rpm	510
Extract speed — maximum g-force	133
<b>WATER INLET/HOSE</b>	
Water inlet — in. (mm)	.75 (19.05)
Operating pressure — psi (mpa)	14.5 – 116 (0.1 – 0.8)
Drain size — in. (mm)	2 x 3.0 (76) O.D.
<b>CAPACITY</b>	
Lbs. (kg)	80 (35)
Cylinder volume — cu. ft. (liters)	11.79 (333.8)
Cylinder diameter — in. (mm)	35.98 (914)
Cylinder depth — in. (mm)	19.88 (505)
<b>COLOR</b>	
Stainless Steel	•
<b>APPROXIMATE WEIGHT</b>	
Crated — lbs. (kg)	1,632 (740)
Uncrated — lbs. (kg)	1,566 (710)
<b>DIMENSIONS</b>	
A) Height — in. (mm)	57.48 (1460)
B) Width — in. (mm)	43.7 (1110)
C) Depth — in. (mm)	40.95 (1040)
D) Floor to bottom of door — in. (mm)	17.25 (438)
E) Depth including door handle and air vent on back — in. (mm)	44.88 (1140)
F) Floor to drain outlet center — in. (mm)	3.46 (88)
G) Side to drain outlet center — in. (mm)	15.75 (400) + 11.8 (300)
Door Opening — in. (mm)	19.84 (504)

See specific instructions for proper installation. Because of continuous product improvement, Maytag reserves the right to change specifications without notice.



FRONT VIEW



BACK VIEW

NEW YORK CITY  
M.E.A.



### MAYTAG® LIMITED WARRANTY

**3 YEARS — ALL PARTS; 5 YEARS — SHELL, WELDED FRAME ASSEMBLY, BASKET, SHAFT ASSEMBLY, BEARINGS AND SEALS**

For a period from the date of original purchase through the time listed above, the designated parts that fail in normal commercial use will be repaired or replaced free of charge for the part itself, with the owner paying all other costs, including labor, transportation and customs duty. Chemical damage is excluded from all warranty coverage. See complete warranty for details.