

MFR40/50PD

MAYTAG® COMMERCIAL
ENERGY ADVANTAGE™
RIGID-MOUNT FRONT-LOAD WASHER



LEGENDARY MAYTAG DEPENDABILITY

Maximizing your equipment investment for over a half century.

MORE ENERGY-SAVING SOLUTIONS THAN ANY OTHER BRAND

Maytag built the first appliance ever to receive the ENERGY STAR® label. Today we offer more high-efficiency laundry appliances than any other brand—from energy-efficient dryers to highly efficient ENERGY STAR®-qualified washers—to help you save money and build profits.

MAYTAG® TURBOWASH™ SYSTEM

Specially designed spray baffles and tumble patterns provide more cleaning power while using less water, cutting costs and maximizing your profits.

FOR YOUR CUSTOMERS:

- Big-Load Design With Oversized Door Opening
- Easy-To-Use One-Touch Cycle Selection
- Time Remaining Display

FOR YOUR OPERATION:

- Enhanced Super Cycle Options Increase Revenue
- Inverter Drive Technology For Better Efficiency And Longer Life
- Microprocessor Coin-Drop Helps Prevent Slugging
- Accu Trac® Audit System With Two-Way Data Communication
- Debit Card Compatibility
- Self-Diagnostic Feature Cuts Service Costs And Minimizes Downtime
- Easy Service Access
- Programmable LCD Digital Display In English, Spanish Or French

BUILT-TO-LAST™ FEATURES:

- Extra-Large 3" Drain Valve
- Commercial-Duty Door Handle, Belts And Frame
- Reliable Die-Cast Door Lock Assembly
- Durable Sealed Bearings
- Stainless Steel Top, Front And Sides
- 5-Year Limited Warranty—All Parts Covered



Model MFR40PD shown.

LAUNDRY SOLUTIONS
YOU CAN *DEPEND* ON.

CUTS WATER USAGE BY UP TO 60%
WITH THE TURBOWASH™ SYSTEM*

* Average savings by using Super Cycle compared to previous Maytag® MFR washers; actual savings varies by model.

visit maytagcommerciallaundry.com



OUR COMMITMENT TO DEPENDABLE QUALITY

At Maytag, we believe durable goods should remain just that. That's why every Maytag® product is constructed of the highest-quality materials and with the utmost in precision craftsmanship. It's also why we stand behind our equipment with solid service and support from our professional Maytag laundry suppliers. Simply put, when you choose Maytag® products, you ensure your peace of mind.



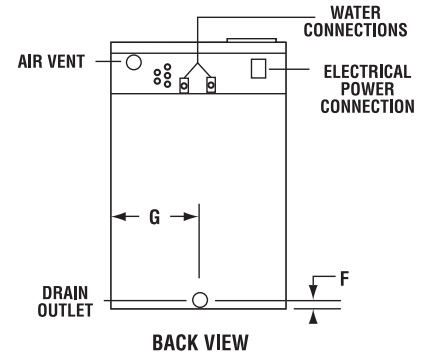
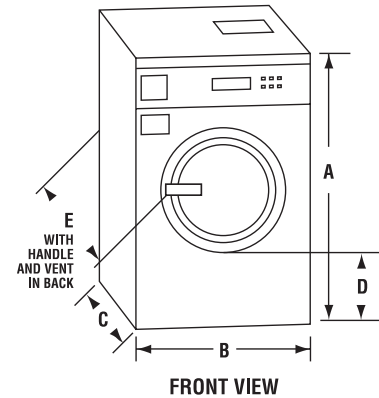
MFR40/50PD

MAYTAG® COMMERCIAL ENERGY ADVANTAGE™ RIGID-MOUNT FRONT-LOAD WASHER

Maytag® Commercial Energy Advantage™ Rigid-Mount Front-Load Washer

MICROPROCESSOR COIN-DROP

WASHER SPECIFICATIONS		
MODELS	MFR40PD	MFR50PD
MOTOR		
Inverter drive	•	•
Variable speed	•	•
HP (kw)	2 (1.5)	2.5 (2.0)
Voltage	208–240V Single-Phase/Three-Phase	208–240V Single-Phase/Three-Phase
AMPERAGE SUPPLY		
	15	15
SPEED		
Wash speed—rpm	44	44
Extract speed—maximum rpm	505	480
Extract speed—maximum g-force	100	90
LIQUID SOAP SIGNALS		
	8	8
WATER INLET/HOSE		
Water inlet hose length—ft. (m)	.5 (1.52)	.5 (1.52)
Operating pressure—psi (bar)	14.5–116 (1–8)	14.5–116 (1–8)
Drain size diameter/drain hose length—ft. (m)	3.0 (76) O.D./1.67 (.5)	3.0 (76) O.D./1.67 (.5)
CAPACITY		
Lbs. (kg)	40 (18)	50 (22)
Cylinder volume—cu. ft. (liters)	6.4 (181.2)	7.68 (217)
Cylinder diameter—in. (mm)	27.6 (701)	27.6 (701)
Cylinder depth—in. (mm)	18.5 (470)	22.4 (569)
COLOR		
Stainless Steel	•	•
APPROXIMATE WEIGHT		
Crated—lbs. (kg)	640 (290)	662 (300)
Uncrated—lbs. (kg)	618 (280)	618 (280)
DIMENSIONS		
A) Height—in. (mm)	51.8 (1315)	51.8 (1315)
B) Width—in. (mm)	33.7 (855)	33.7 (855)
C) Depth—in. (mm)	33.7 (855)	37.4 (950)
D) Floor to bottom of door—in. (mm)	20.8 (528)	20.8 (528)
E) Depth including handle and vent on back—in. (mm)	35.2 (895)	38.98 (990)
F) Floor to drain outlet center—in. (mm)	5.3 (134)	5.3 (134)
G) Side to drain outlet center—in. (mm)	16.8 (427.5)	16.8 (427.5)
Door opening—in. (mm)	16.1 (410)	16.1 (410)
See specific instructions for proper installation. Because of continuous product improvement, Maytag reserves the right to change specifications without notice.		



NEW YORK CITY
M.E.A.



5-YEAR LIMITED WARRANTY ALL PARTS COVERED

For a period from the date of original purchase through the time listed above, the designated parts that fail in normal commercial use will be repaired or replaced free of charge for the part itself, with the owner paying all other costs, including labor, transportation and customs duty. Chemical damage is excluded from all warranty coverage. See complete warranty for details.