

MDE/MDG18CS

MAYTAG® COMMERCIAL
SUPER-CAPACITY DRYER



LEGENDARY MAYTAG DEPENDABILITY

Maximizing your equipment investment for over a half-century.

FOR YOUR CUSTOMERS:

- Extra Large 7.4-Cu.-Ft. Capacity
- Simple Controls Are Easy for Multiple Users
- Powerful, High Airflow Dries Load Quickly, Saving Time
- Extra-Large Door and Drum Openings Allow Quick, Easy Loading and Unloading

FOR YOUR OPERATION:

- TurboVent™ Technology Provides Faster Drying and Better Performance on Long Vents
- 4-Way Venting—Right or Left Side, Back or Front
- Advanced Computer Trac® Controls Allow for Easy Programming
- Accepts a Variety of Slides
- Large-Capacity Metal Mesh Lint Filter
- Front Access for Easier Self-Service
- Reversible Side-Swing Door

BUILT-TO-LAST™ FEATURES:

- Premium Porcelain-Enamel Top
- Four-Roller Suspension with Permanently Lubricated Bearings
- Blower Guard Reduces Service Calls
- High-Security Vault
- 5-Year Limited Warranty—All Parts Covered

LAUNDRY SOLUTIONS
YOU CAN *DEPEND* ON.

FASTER DRYING WITH
TURBOVENT™ TECHNOLOGY

visit maytagcommerciallaundry.com
or call 800-662-3587



OUR COMMITMENT TO DEPENDABLE QUALITY

At Maytag, we believe durable goods should remain just that. That's why every Maytag® product is constructed of the highest-quality materials and with the utmost in precision craftsmanship. It's also why we stand behind our equipment with solid service and support from our professional Maytag laundry suppliers. Simply put, when you choose Maytag® products, you ensure your peace of mind.



MDE/MDG18CS

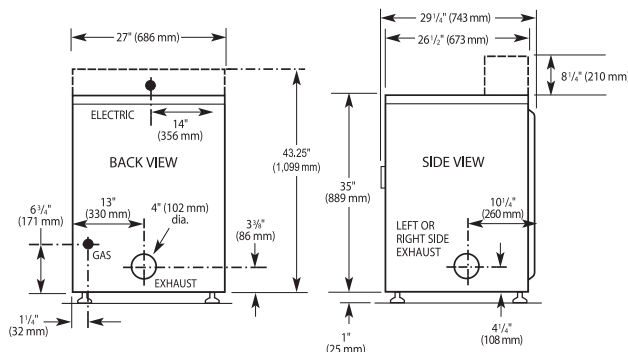
MAYTAG® COMMERCIAL SUPER-CAPACITY DRYER

Maytag® Commercial Super-Capacity Dryer

MECHANICAL COIN SLIDE-READY

DRYER SPECIFICATIONS	
MODEL	MDE/MDG18CS
MOTOR	
Single-phase, thermoprotected against overload, auto-reset	✓
HP (kw)	.33 (.25)
TUMBLE SPEED—RPM	50 ± 1
CAPACITY	
Cu. ft. (liters)	7.4 (210)
AIRFLOW	
Gas models—cfm (cmm)	230 (6.5)
Electric models—cfm (cmm)	215 (6.1)
SOUND LEVEL (EXPORT MODEL ONLY)	
Sound pressure level, Lpa (dBA) (Kpa: ± 10dBA)	58
ELECTRICAL REQUIREMENTS	
MDE model—voltage/Hz	240/60*
MDG model—voltage/Hz	120/60
Export models—voltage/Hz	220–240/50
BREAKER/FUSE MINIMUM REQUIREMENTS	
MDE model—amps	30
MDG model—amps	15
MDE export model—amps	25
MDG export model—amps	10
ELECTRIC HEATING ELEMENT—WATTS	
Domestic models	5,600
Export models	4,600
Canadian models	5,250
GAS RATING	
MDG model—BTU/hr. (kcal/hr.)	24,000 (6,048)
MDG export model—BTU/hr. (kcal/hr.)	20,000 (5,040)
GAS INLET	
MDG model—in.	3/8 N.P.T.
EXHAUST DUCT DIAMETER	
In. (mm)	4 (101.6)**
ELECTRONIC BURNER IGNITION	
MDG models	✓
AUTOMATIC PRESSURE REGULATOR	
MDG models	✓
ADJUSTABLE LEVELING LEGS	
MDG models	✓
APPROXIMATE WEIGHT	
Crated—lbs. (kg)	154 (69.8)
Uncrated—lbs. (kg)	140 (63.5)
DIMENSIONS	
Height—in. (mm)	43.25 (1,099)***
Width—in. (mm)	27 (686)
Depth—in. (mm)	29.25 (743)
WARRANTY	
	5-YEAR

*208-Volt electric element kit available.
 **Use 4" (101.6 mm) diameter rigid aluminum or galvanized steel duct. Never use plastic, non-metal or combustible duct.
 ***Height at metercase.
 Dimensions are for planning purposes only. See specific instructions for proper installation. Because of continuous product improvement, Maytag reserves the right to change specifications without notice.



MAXIMUM EXHAUST DUCT LENGTH PER NUMBER OF TURNS

Number Of 90° Turns



Rigid Metal Vent

	Box Hood and Louvered Style	Angled Hood Style
0	135 ft. (41.2 m)	129 ft. (39.3 m)
1	125 ft. (38.1 m)	119 ft. (36.3 m)
2	115 ft. (35.1 m)	109 ft. (33.2 m)
3	106 ft. (32.3 m)	100 ft. (30.5 m)
4	98 ft. (29.9 m)	92 ft. (28.0 m)

Flexible Metal Vent

	Box Hood and Louvered Style	Angled Hood Style
0	76 ft. (23.2 m)	62 ft. (18.9 m)
1	71 ft. (21.6 m)	57 ft. (17.4 m)
2	67 ft. (20.4 m)	53 ft. (16.2 m)
3	65 ft. (19.8 m)	51 ft. (15.6 m)
4	63 ft. (19.2 m)	49 ft. (14.9 m)



5-YEAR LIMITED WARRANTY ALL PARTS COVERED

For a period from the date of original purchase through the time listed above, the designated parts that fail in normal commercial use will be repaired or replaced free of charge for the part itself, with the owner paying all other costs, including labor, transportation and customs duty. Chemical damage is excluded from all warranty coverage. See complete warranty for details.